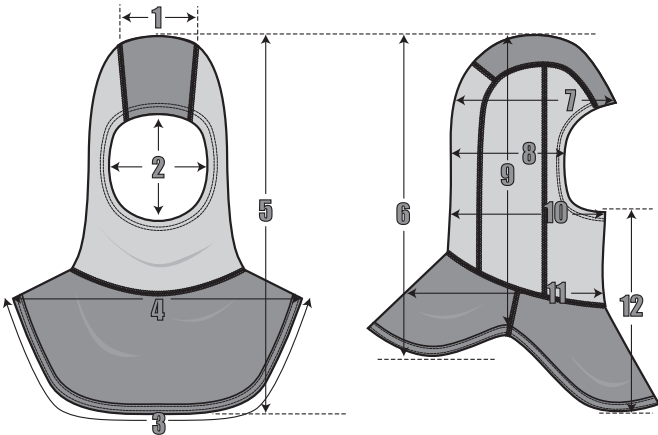


# SPECIFICATIONS



**39708-01-169093 Elite Pro Critical Coverage**  
**HOOD DIMENSIONS – ONE SIZE HOOD FITS ALL**

1. Sure-Fit™ panel 3" wide from top of face opening and extends to where bib is attached, in place of traditional center seam.
2. Laminate fabric extends to circular face opening, which is 4 ½" to 5 ½" in diameter.
3. Width around bottom (½) approximately 27".
4. Width around hood from edge of shoulder cap to opposite edge of shoulder cap, approximately 17".
5. Front length of hood from top to bottom, approximately 23".
6. Back length of hood from top to bottom, approximately 21 ½".
7. Width of hood above face opening, approximately 9".
8. Width of hood mid-face opening to back, approximately 8 ½".
9. Length of hood at side from top to bottom, approximately 18 ½".
10. Width of hood 1" below bottom of face opening approximately 10 ½".
11. Width of hood above shoulder cap, approximately 11 ¼".
12. Length of hood below face opening, approximately 14".

**STITCH TYPES AND SEAMS**

- All stitching conforms to Federal Standard 751 Specifications (FED-STD-751).
- Major seams are flat seam assembled with stitch type 607.
- Elastic around face opening is serged in with stitch type 504 and reinforced with bottom cover-stitch type 406.
- Binding is applied with bottom cover-stitch type 406.

**LABELING AND USER INFORMATION**

- UL Certified FR label facilitates tracking and identification through bar-coding, sequential numbering and personalization.
- "PROPERTY OF: \_\_\_\_\_" feature allows user to simply write their name with permanent laundry marker directly on label for permanent identification.
- Each hood is clearly labeled to identify material contents, NFPA acceptance, UL Classification, Date of Manufacture, Lot Tracking Number, Style Number, Statement of Made in USA and Care Instructions.
- Each hood includes a complete user information guide.

**CONSTRUCTION**

- Completely redesigned hood which reduces excess fabric under chin to base of neck for a more comfortable fit and better interface with turnout coat collars; eliminates face opening pulling away from the bottom of SCBA mask when looking up.
- The bib is narrowed down to avoid being "locked-down" by shoulder straps for air supply tank and bound with Para-Tek FR rib knit.
- Laminate BarriAire™ Silver fabric with Para-Tek FR rib knit on bib and on crown of head.
- Sure-Fit™ panel provides improved comfort, fit and performance. Rib knit panel, 3" wide, begins at face opening and extends 11" over the crown of head. Laminate panel then extends to the bib seam.
- For contoured fit, hood is seamed from top of face opening to the bib seam, as well as from Sure-Fit™ panel down to bib, near coronal plane.
- Face opening is circular and serged with x-heavy duty ½" elastic around the perimeter. The elastic is then folded under ½" and cover-stitched. The face opening stretches 25% more than conventional hoods for easy donning and a snug fit around face of SCBA mask. Face opening maintains original shape after repeated laundering.

**MEETS OR EXCEEDS INDUSTRY STANDARDS**

- UL Classified to meet or exceed the current hood requirements of NFPA 1971, Standard on Protective Ensemble for Structural Firefighting.
- UL Certified to the NFPA 1971, 2018 Edition Option for Particulate Protection.

<b>SINGLE LAYER LAMINATE FR COMPOSITE</b>
OUTER KNIT LAYER: Gray Nomex® Blend
MIDDLE LAYER: Nomex® Nano Flex
INNER KNIT LAYER: White Nomex® Blend
WEIGHT / THICKNESS: 460gsm (13.8oz/yd²) / 1.6mm (63mil)
FABRIC DESCRIPTION: An innovative lamination process, which covers only 50% of the material, allows for great air permeability and flexibility. The pore matrix created by the Nomex® Nano Flex fiber allows moisture absorption 2 ½ times faster than PTFE laminates. The materials and lamination process creates a fabric that has unparalleled particulate efficiency, comfort and protection.
<b>PARA-TEK FR RIB KNIT</b>
WEIGHT: 203gsm (6oz/yd²)
FABRIC DESCRIPTION: PGI's Proprietary Tri-Blend of Lenzing FR®, high strength Para-Aramid and high tenacity Nylon. This superb flame resistant fiber combination offers an outstanding TPP rating, arc flash protection and excellent moisture absorbency.



All rights reserved. Because of our ongoing commitment to product quality and development, we reserve the right to change, or cancel discontinue or alter any specification, design or feature without prior notice and without incurring obligation. DuPont™ and Nomex® are trademarks or registered trademarks of E.I. du Pont de Nemours and Company or its affiliates.

**39708-01-169093 Elite Pro Critical Coverage**

<b>FABRIC PERFORMANCE VALUES</b>	<b>NFPA 1971 REQUIREMENTS</b>	<b>CRITICAL COVERAGE</b>
Particulate Efficiency		
■ Lowest Average as Submitted	≥ 90.00%	98.83%
■ Lowest Average after 10 Washings	≥ 90.00%	98.85%
Viral & Bacterial Filtration Efficiency**		
■ Viral Filtration Efficiency (VFE)	N/A	99.7%
■ Bacterial Filtration Efficiency (BFE)	N/A	99.9%
Air Permeability After Home Laundering		
■ As Received	N/A	12.26 cfm
■ After 100 Home Launderings	N/A	11.60 cfm
Thermal Protective Performance (TPP)		
Rib Knit		
■ As Received	≥ 20.0	32.7
■ After 5 Washings	≥ 20.0	31.5
Laminate		
■ As Received	≥ 20.0	23.0
■ After 5 Washings	≥ 20.0	24.8
Total Heat Loss (THL)	≥ 325 W/m <sup>2</sup>	479.1 W/m <sup>2</sup>
Hood Material Burst Strength	≥ 225 N	711 N
Flame Resistance Test - Laminate		
After Flame (Wales x Courses)		
■ As Received	≤ 2.0 s	0.4 s x 0.4 s
■ After 5 Washings	≤ 2.0 s	0.4 s x 0.4 s
Char Length (Wales x Courses)		
■ As Received	≤ 100 mm	8 mm x 7 mm
■ After 5 Washings	≤ 100 mm	6 mm x 7 mm
Cleaning Shrinkage Resistance Test		
Hood Measurement		
■ After 5 Washings	≥ -5.0%	0.0%
Face Opening Measurement		
■ After 5 Washings	MEETS REQUIREMENTS	YES
Heat & Thermal Shrinkage Resistance Test		
Hood Measurement		
■ As Received	≥ -10.0%	-0.5%
■ After 5 Washings	≥ -10.0%	0.0%
Face Opening Measurement		
■ As Received	MEETS REQUIREMENTS	YES
■ After 5 Washings	MEETS REQUIREMENTS	YES
Seam Breaking Strength Test		
Laminate to Laminate		
■ Location: Back Panel	≥ 181 N	832.00 N
Laminate to Rib Knit		
■ Location: Crown	≥ 181 N	677.00 N
■ Location: Bib Attachment	≥ 181 N	685.00 N
Rib Knit to Rib Knit		
■ Location: Shoulder Seams	≥ 181 N	762.00 N
Melt or Drip When Exposed to Flame	NO MELTING OR DRIPPING	NONE

\*\*Viral and Bacterial Filtration Efficiencies as conducted by Nelson Labs, U.S.A. All other test results as conducted by UL LLC.

All rights reserved. Because of our ongoing commitment to product quality and development, we reserve the right to change, or cancel discontinue or alter any specification, design or feature without prior notice and without incurring obligation. DuPont™ and Nomex® are trademarks or registered trademarks of E.I. du Pont de Nemours and Company or its affiliates.